

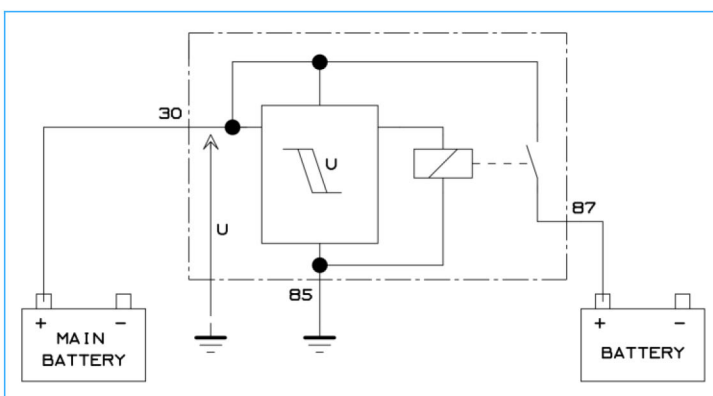
Technical data

Rated Voltage	U_N	DC 12V
Operating Voltage	U_{OP}	DC 9V ... 15V
Operational Current	I_{OP}	10mA / 600mA
Switching Delay	t_v	10sec \pm 5%
Low Voltage Level	U_L	12,8V
High Voltage Level	U_H	13,4V
Rate Current	I_N	160A
Short Time Current	I_N	500A / 1sec @ 23°C
Operating Temperature	T_{OP}	- 40 °C...+85 °C
Life Time		100.000 switches

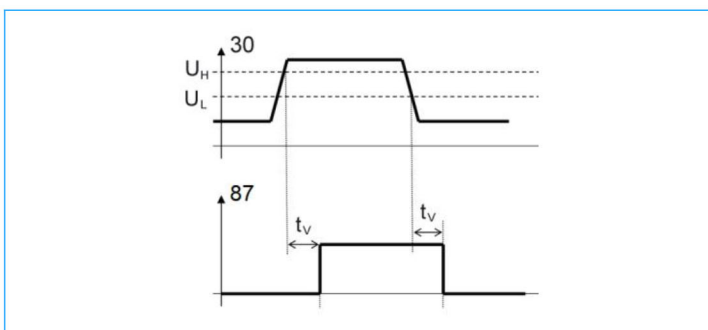
Materials

Baseplate	PA66-GF30
Cap	PA66-GF30
Terminals	CuZn 37 F37
Contacts	AgSnO ₂

Wiring Diagram



Function Diagram



Approvals

In conformity with:	ISO 8092
	EU Dir. 2002/95/EC RoHS
	DIR. 95/54 CE
	EMC DIN 40839



Dimensions

