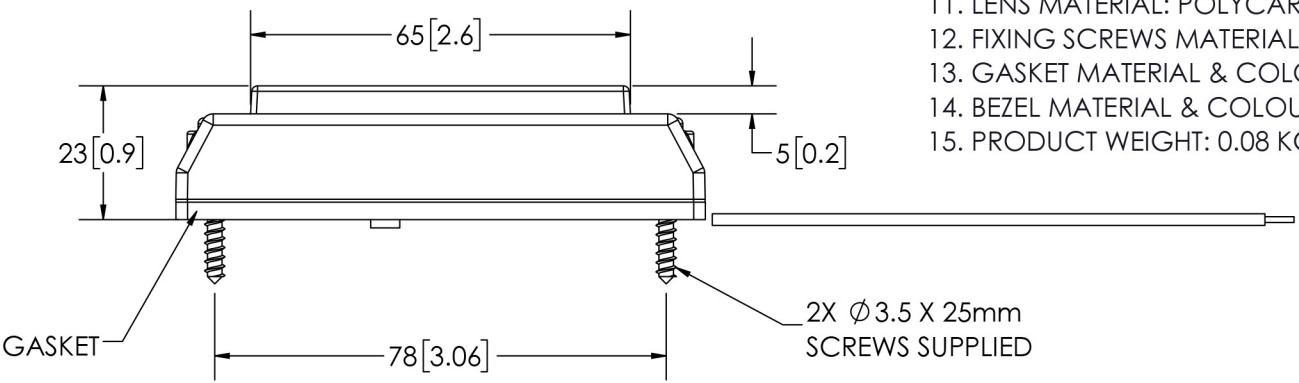


2X ϕ 4 [0.16]
MOUNTING HOLES

RED - POSITIVE(+)
BLACK - NEGATIVE(-)
WHITE - DIMMING FUNCTION
BLUE - PATTERN SELECT/SYNC

SPECIFICATIONS

1. CERTIFICATIONS; R10, R65 APPROVED & IP67 RATED
 Note: Unique components, accessories and hardware kits are not typically included in the product certification test protocols. Unless otherwise Specified, the product certification referred to herein are predicated upon The base product model configuration.
2. FLASH MODE: (FPM): DEFAULT R65 DOUBLE FLASH
3. VOLTAGE (NOMINAL): 12-24 VDC
4. VOLTAGE (EXTREME): 10-30 VDC
5. CURRENT (PEAK): A - 0.45A, R - 0.30A, B - 0.50A, W - 0.45A (@ 12 VDC NOMINAL)
6. POWER (MAXIMUM): A - 5.4W, R - 3.6W, B - 6.0W, W - 5.4W (@ 12 VDC NOMINAL)
7. TEMPERATURE RANGE: -40°C TO +55°C
8. CONNECTION: 18 AWG WIRES
9. MOUNTING: 2 X SCREWS
10. BASE MATERIAL: ALUMINIUM
11. LENS MATERIAL: POLYCARBONATE
12. FIXING SCREWS MATERIAL: STAINLESS STEEL
13. GASKET MATERIAL & COLOUR: EVA FOAM, BLACK
14. BEZEL MATERIAL & COLOUR: POLYCARBONATE, BLACK, CHROME
15. PRODUCT WEIGHT: 0.08 KG



GASKET

2X ϕ 3.5 X 25mm
SCREWS SUPPLIED

NOTES:
1. DIMENSIONS IN MILLIMETERS [INCHES (FOR REFERENCE)]